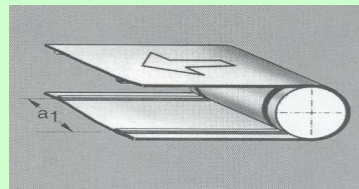
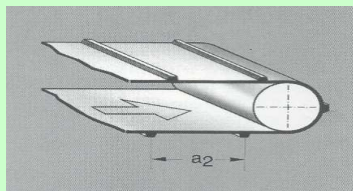


PU - PVC PROFILES



Section	Code	Dimensions mm			Colour		Weight g/m	Lateral profile		Longitunal profile			
		b	h	a	White	Green		a2 min. mm	Ø d min. mm	a1 min. mm	Ø d min. mm Bottom cover	Upper cover	
	K 10 PU	10	6	6		x	55	30	50	30	70	60	
	K 13 PU	13	8	7.5		x	100	30	80	30	90	60	
	K 15 PU	15	8	9.5		x	120	30	90	30	90	60	
	K 17 PU	17	11	9.5		x	170	30	110	30	90	90	
	T 30 PU	12	30			x	180	30	50	-	-	-	
	T 50 PU	12	50			x	250	30	50	-	-	-	
	ZF 15x20	15	20		x	x	290	30	110	30	130	110	
	ZF 20x5	20	5		x	x	105	40	80	40	80	65	
	ZF 40x5	40	5		x	x	215	60	110	60	80	65	
	ZF 60x5	60	5		x	x	325	80	140	80	80	65	
	ZK 6	6	4	4	x		25	30	30	30	40	30	
	ZK 8	8	5	5		x	40	30	40	30	55	50	
	ZK 10	10	6	6	x	x	55	30	50	30	70	60	
	ZK 13	13	8	7.5	x	x	100	30	80	30	90	60	
	ZK 15	15	8	9.5	x	x	120	30	90	30	90	60	
	ZK 17	17	11	9.5	x	x	170	30	110	30	90	90	
	ZK 30	30	16	18		x	470	60	180	50	230	180	
	ZK 30/10	30	10	24		x	380	60	180	50	220	170	
	ZT 20	20	20			x	x	160	30	90	40	-	120
	ZT 30	26	30			x	x	320	40	110	-	-	-
	ZL 30	33	30			x		390	75	110	-	-	-
	ZL 40	33	40			x	x	470	80	110	-	-	-
	ZL 60	35	60			x	x	600	90	110	-	-	-
	ZL 80	46	80			x	x	1200	100	140	-	-	-

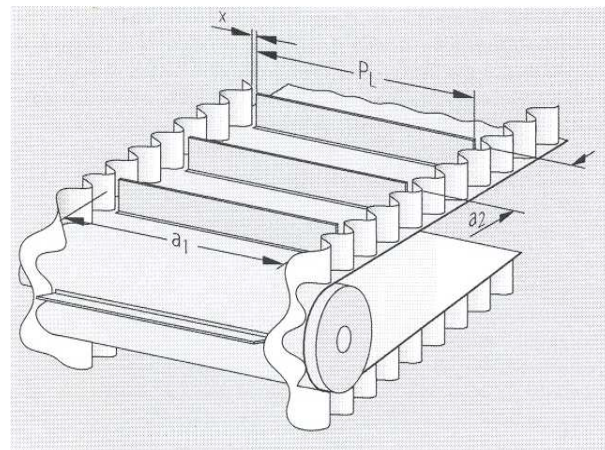
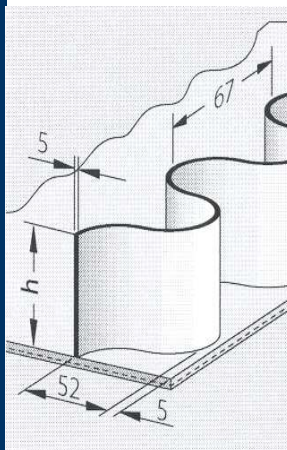
PU ROUND BELTS

Section	Code	Diameter Ø d mm	Colour	Hardness	Weight g/m	Min. Drum diameter
	3 mm EUW	3	Green	88 Sh A	9	25
	4 mm EUW	4	Green	88 Sh A	15	40
	5 mm EUW	5	Green	88 Sh A	24	50
	6 mm EUW	6	Green	88 Sh A	34	60
	8 mm EUW	8	Green	88 Sh A	60	80
	10 mm EUW	10	Green	88 Sh A	94	100
	12 mm EUW	12	Green	88 Sh A	135	120
	15 mm EUW	15	Green	88 Sh A	212	150

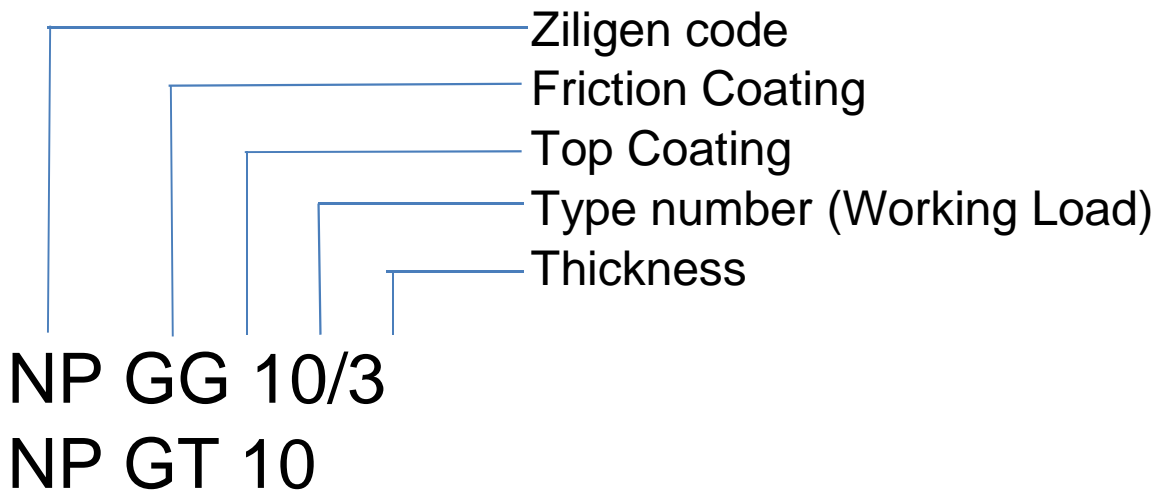
SIDEWALLS

Code	Height h mm	Colour		Weight g/m	Longitunal profile			
		White	Green		Ø d min. mm	a1 min. mm	a1 max. mm	a2 min. mm
Z FW 40	40	x	x	430	120	250	1300	134
Z FW 60	60	x	x	645	150	250	1300	134
Z FW 80	80	x	x	865	150	250	1300	201

CORRUGATED SIDEWALLS



TYPE CODES



Abbreviations Used

- G: Highly abrasion resistant NBR or XNBR rubber
- L: Chrome leather resistant to oils
- T: Nylon Fabric
- ZS: Special Process

TYPE CODES



Z 5/1 FU/U2-11 MAT NA WHITE

Z 10/2 V1/V1-27 GSTR/GL GREEN

Abbreviations Used

- F:** Polyester fabric
- C:** Cotton fabric
- O:** Cotton Polyester fabric
- FU:** PU impregnated polyester fabric
- FV:** PVC impregnated polyester fabric
- V1:** 74 Shore A PVC for all standard conveying processes
- V2:** 74 Shore A PVC with high abrasion and cut resistance lower tracking properties
- V3:** 50 Shore A PVC with high tracking properties
- V4:** 85 Shore A Food grade PVC with high oil resistance
- V5:** 85 Shore A PVC high resistant to abrasion
- V6:** 55 Shore A PVC NBR mixed highly resistant to chemicals and perfect tracking properties
- V7:** 74 Shore A PVC with high tracking properties
- V8:** 74 Shore A PVC resistant to abrasion and good tracking properties
- V10:** 75 Shore A PVC resistant to abrasion and good tracking properties
- U:** PU impregnated
- U1:** 86 Shore Polyurethane
- U2:** 93 Shore Polyurethane
- R1:** 74 Shore A NBR Rubber
- R2:** 60 Shore A NBR Rubber
- MAT:** Mat finish
- NA:** Non Antistatic
- GSTR:** Coarse textured pattern
- STR:** Fine textured pattern
- NT:** Half round pattern
- AR:** Anti skid pattern
- CH:** Check in pattern

SG Lattice pattern
GL Glossy finish
NP Negative pyramid

- Ziligen code
- Type number (Working Load)
- Number of plies
- Underside Coating
- Top face coating
- Thickness
- Belt characteristics and color

rties